



AHU Heat Pump System	
Location: _____ Engineer: _____ Submitted to: _____ Submitted by: _____ Reference: _____	Approval: _____ Date: _____ Construction: _____ Unit #: _____ Drawing #: _____

Set Code	22023110000889
Indoor unit code	22023111000272
Outdoor unit code	22023116000103
Set Model	
Indoor unit model	ACIQ-48-AHB
Outdoor unit model	ACIQ-48-EHPB
Certified	
AHRI	
UL	



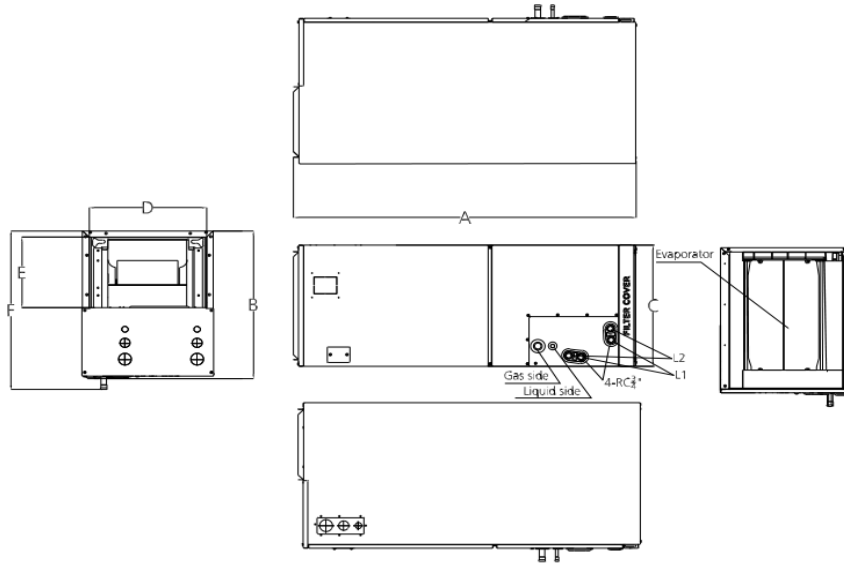
SYSTEM PERFORMANCE DATA			
Power supply			
Normal Operational Voltage	(V, Ph, Hz)	208-230V, 1Ph,	60Hz
Voltage Range	(V)		187-253
Electrical			
Minimum circuit ampacity(Outdoor)	(A)		34.0
Max.fuse(Outdoor)	(A)		50.0
Connection wiring		14AWG*2	Stranded, shielded
Cooling			
Capacity	(Btu/h)	47000(10500~48000)	
Power Input	(W)	5320(380~5290)	
Current	(A)	23.2(2.9~24.1)	
SEER2	(Btu/W)		15.8
EER2	(Btu/W)		8.8
Heating			
Capacity	(Btu/h)	55000(13500~57000)	
Power Input	(W)	5117(760~5500)	
Current	(A)	22.5(5.0~24.52)	
HSPF2-4	(Btu/W)		9.4
HSPF2-5	(Btu/W)		7.5
COP	W/W		3.15
Heat at 17F(H32)	(Btu/h)		37000
Heat at 5F(H42)	(Btu/h)		36000
COP at 5F(H42)	W/W		1.95

REFRIGERANT PIPE DATA			
Throttle type	Indoor unit	EEV for cooling	
	Outdoor unit	EEV for heating	
Design pressure	(PSIG)	550/340	
Refrigerant Type		R410A	
Refrigerant charge	oz	165.79	
Refrigerant precharge	(ft)	25.0	
	(m)	7.5	
Additional charge for each ft	(oz/ft)	0.69	
Additional charge for each m	(g/m)	65.0	
Liquid side/ Gas side(indoor)	(inch)	3/8" / 3/4"	
	(mm)	9.52/19	
Liquid side/ Gas side(outdoor)	(inch)	3/8" / 3/4"	
	(mm)	9.52/19	
Max. pipe length	(ft)	213.3	
	(m)	65.0	
Max. difference in level	(ft)	98.4	
	(m)	30.0	
Connection method		Flared	
Indoor(cooling)	(Deg. °F)	60~90	
	(Deg. °C)	16~32	
Indoor(heating)	(Deg. °F)	32~86	
	(Deg. °C)	0~30	
Outdoor(cooling)	(Deg. °F)	5~122	
	(Deg. °C)	-15~50	
Outdoor(heating)	(Deg. °F)	5~75	
	(Deg. °C)	-15~24	

INDOOR UNIT DATA			
Indoor fan motor			
Model		ZKFD-560-8-1-1	
Qty			1
Input	(W)		/
Output	(W)		/
RLA	(A)		46744.4
Speed(Hi/Mi/Lo)	(r/min)		/
Air flow & Noise level			
Indoor air flow (Hi/Med/Lo) (No duct)	(CFM)	470.59/1282.35/1094.12/905.88	
Indoor noise level (Hi/Med/Lo)	[dB(A)]		53/50/46
Dehumidification	(L/H)		4.64
Indoor unit			
Dimension (WxDxH)	(inch)	21.02x21.02x49.02	
	(mm)	534x534x1245	
Packing(WxDxH)	(inch)	26.57x24.41x52.56	
	(mm)	675x620x1335	
Net/Gross weight	(lbs.)	130.51/156.31	
	(kg)	59.2/70.9	
Accessories			
Adaptor for welding(3/4")	Qty		1
Adaptor for welding(3/8")	Qty		1

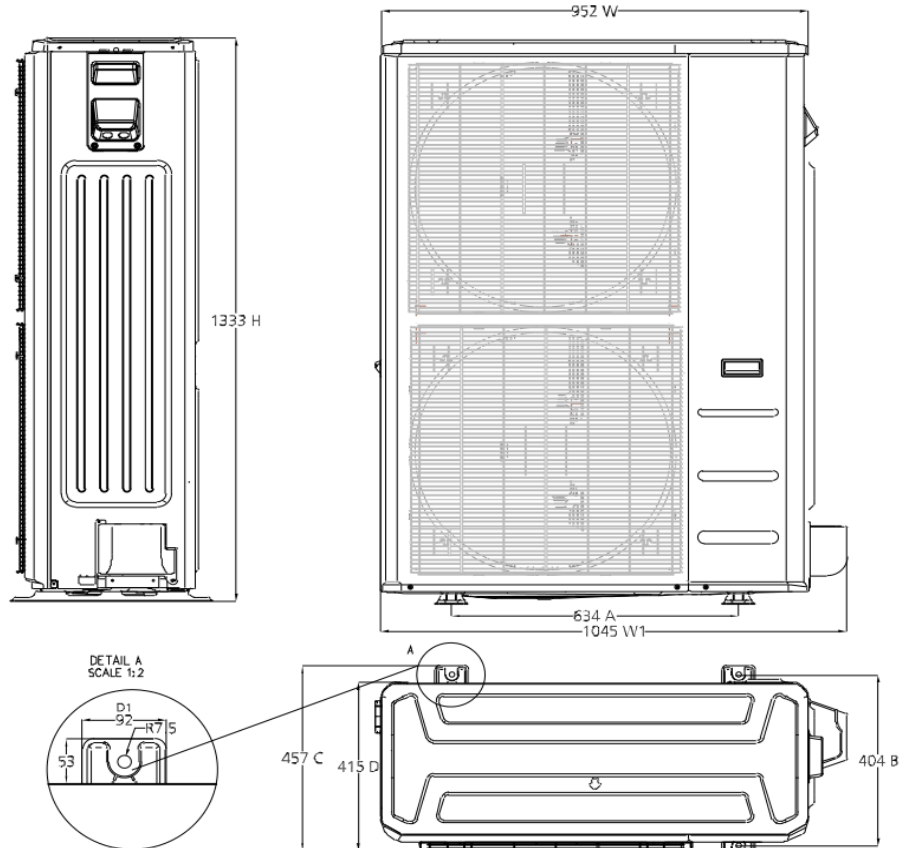
OUTDOOR UNIT DATA			
Compressor			
Type		ROTARY	
Model		KTQ420D1UMU	
Brand		GMCC	
Capacity	(Btu/h)	46744	
Input	(W)	3700	
Rated current (RLA)	(A)	24	
Refrigerant oil/oil charge	(ml)	VG74/1400	
Outdoor fan motor			
Model		ZKFN-85-8-22-5	
Qty		2	
Input	(W)	126.0	
Output	(W)	85	
RLA	(A)	2.4	
Speed	(r/min)	850/750/650	
Air flow & Noise level			
Outdoor air flow (Max.)	(CFM)	4500	
Outdoor noise level	[dB(A)]	59.0	
Outdoor unit			
Dimension (WxDxH)	(inch)	37.48x16.34x52.48	
	(mm)	952x415x1333	
Packing (WxDxH)	(inch)	43.11x19.49x58.27	
	(mm)	1095x495x1480	
Net/ Gross weight	(lbs.)	217.59/248.68	
	(kg)	98.7/112.8	
Accessories			
Adaptor for welding(3/4")	Qty		1
Adaptor for welding(3/8")	Qty		1
Adaptor (5/8" to 3/4")	Qty		1

Indoor unit dimension



Model	Unit	Dimensions(mm)						Drain hole	
		A	B	C	D	E	F	L1	L2
18k~24k	mm	1143	534	445	400	260	585	Main drain	Overflow drain
	inch	45	21	17-1/2	15-3/4	10-1/4	23		
30k-48k	mm	1245	534	534	490	260	585		
	inch	49	21	21	19-5/16	10-1/4	23		
60k	mm	1346	534	622	580	260	585		
	inch	53	21	24-1/2	22-7/8	10-1/4	23		

Outdoor unit dimension



48K

